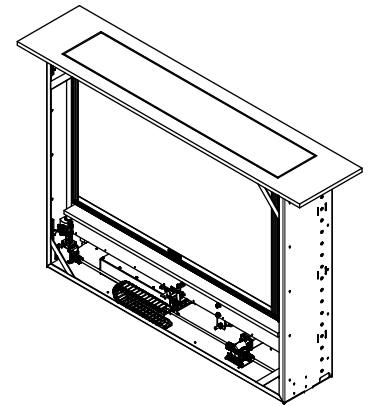
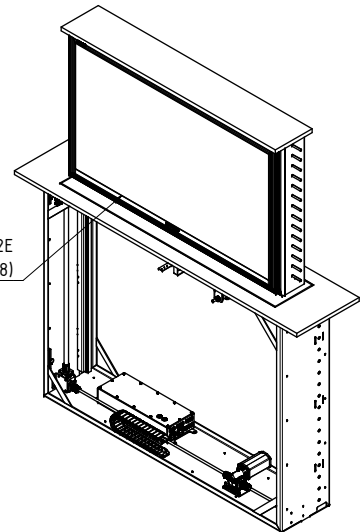

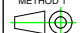


Sharp LC52XL2E
(1237 x 774 x 95,8)



Surface: powder-coated in RAL9005 fine

	okugi lift systems GmbH Linthofstraße 14-16 D-28757 Bremen Tel: +49 (0)421 - 83 56 490 44 Fax: +49 (0)421 - 83 56 490 45 Email: info@okugi.de Web: www.okugi.de		*	
	Scale 1:16	Size A2	Title Pop Up Lift 52" - with turn for Sharp 52"	
Drawn 2009	Date	Name	Project No.	
Check	Tolerances ISO 2768-MK EN ISO 13920-BF	METHOD 1 	Drawing No.	Sheet 1 1 / 1
Copyright as per DIN 34		Pop-Up-Lift		