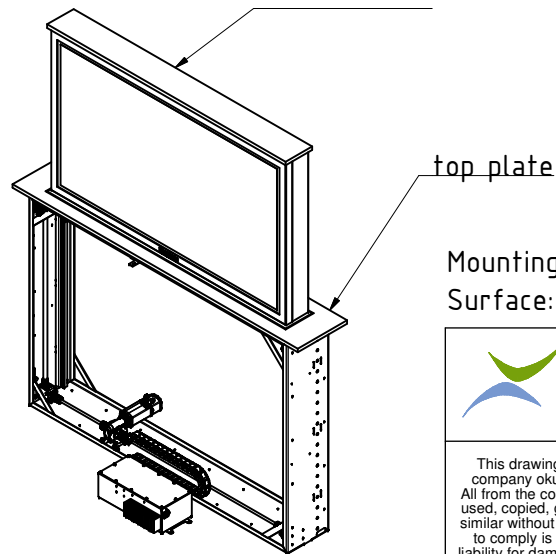
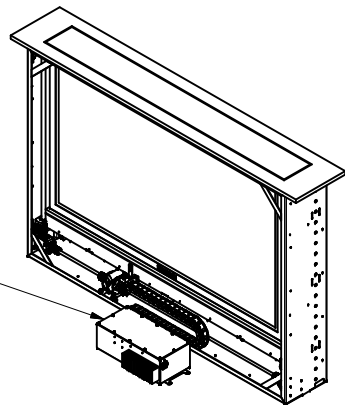


upper plate  
max. weight 10kg



Mounting Frame (Option)  
Surface: powder-coated in RAL9005 fine



okugi lift systems GmbH  
Uthoffstraße 14-16  
D-28757 Bremen  
Tel: +49 (0)421 - 83 56 490 44  
Fax: +49 (0)421 - 83 56 490 45  
Email: info@okugi.de  
Web: www.okugi.de

This drawing is the property of the company okugi Liftsystems GmbH. All from the company okugi is not to be used, copied, given to third parties and similar without written approval. Failure to comply is illegal and may lead to liability for damages and compensation.

Scale	Size
1:20	A3
2009	Date
Drawn	Name
Check	

Title  
**Pop Up Lift 65" - no turn**  
for Panasonic 65"

Copyright as per DIN 34

Tolerances  
ISO 2768-MK  
EN ISO 13920-BF



Project No. Drawing No. Sheet

**Pop-Up-Lift**

1  
1/1