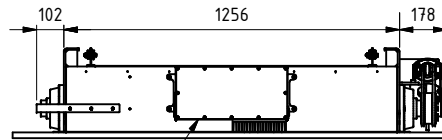
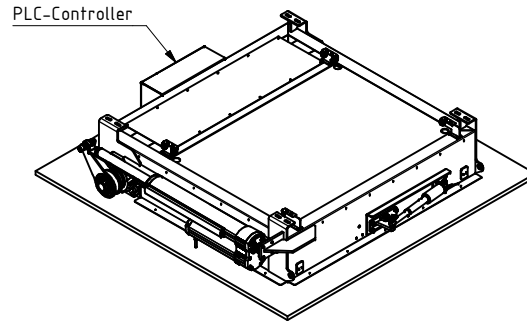
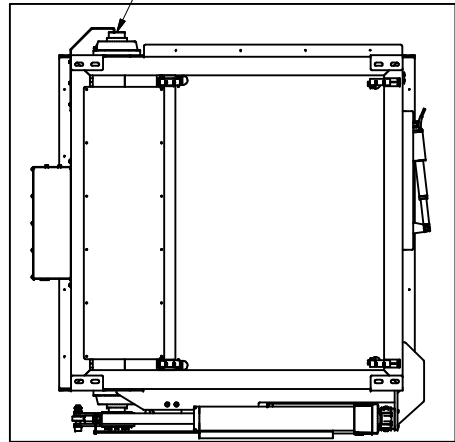


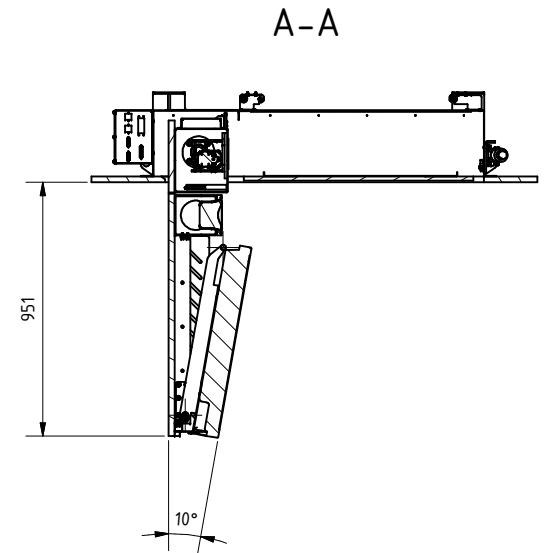
Inlet for cable



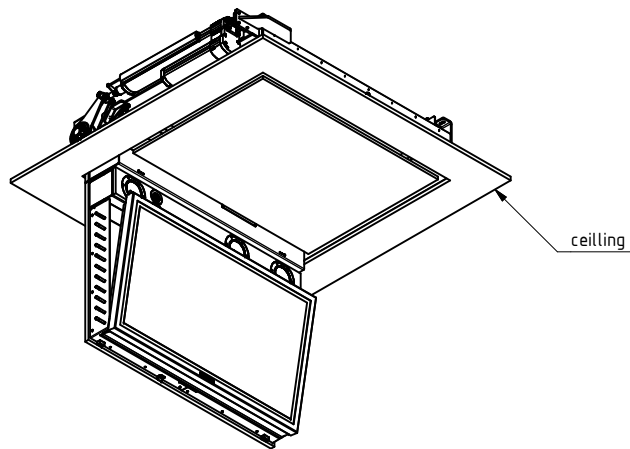
Position of controller




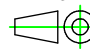
PLC-Controller



A-A



ceiling

		okugi lift systems GmbH Uthoffstraße 14-16 D-28757 Bremen Tel: +49 (0)421 - 83 56 490 44 Fax: +49 (0)421 - 83 56 490 45 Email: info@okugi.de Web: www.okugi.de		*	
This drawing is the property of the company okugi Liftsystems GmbH. All from the company okugi is not to be used, copied, given to third parties and similar without written approval. Failure to comply is illegal and may lead to liability for damages and compensation.		Scale <b>1:20</b>	Size <b>A3</b>	Title <b>Drop Down with turn &amp; tilt</b>	
Drawn 2009	Date	Name			
Check					
Copyright as per DIN 34		Tolerances ISO 2768-MK EN ISO 13920-BF	METHOD 1 	Project No.	Drawing No.
				<b>D.D.-Tilt-Lift</b>	
				1 1/1	