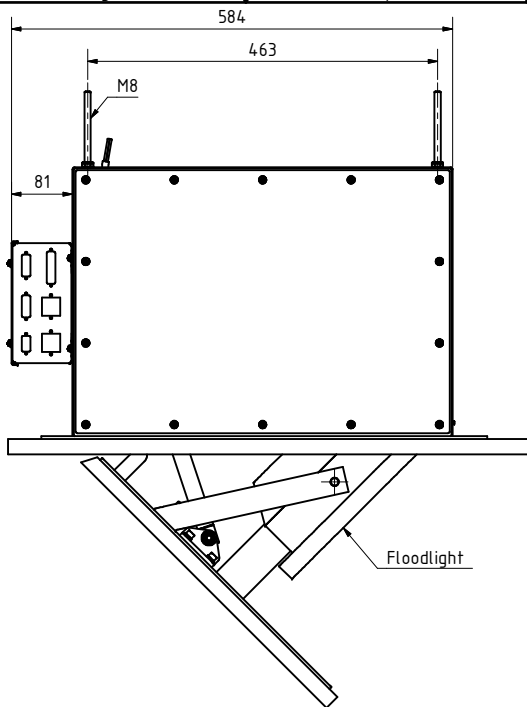
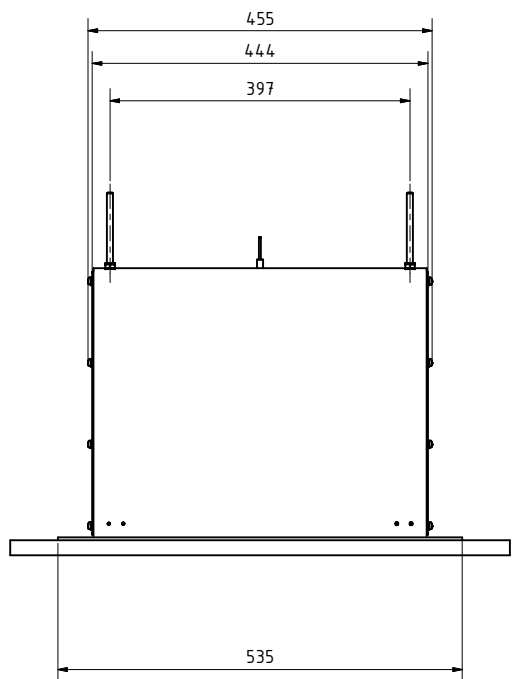
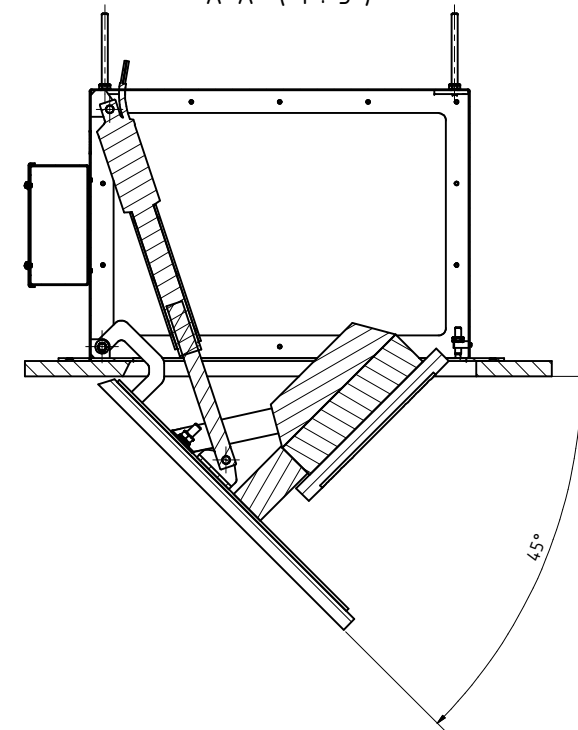


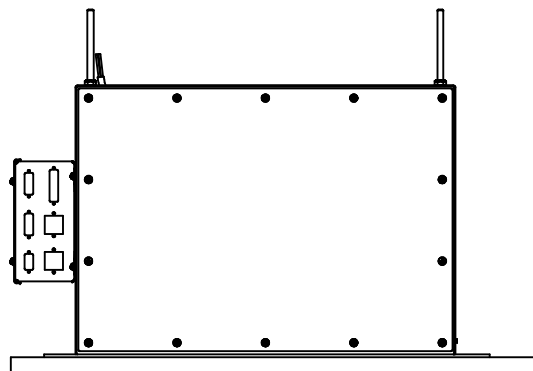
Lift open





A-A (1:5)



Lift closed



		okugi lift systems GmbH Luthofstraße 14-16 D-28757 Bremen Tel: +49 (0)421 - 83 56 490 44 Fax: +49 (0)421 - 83 56 490 45 Email: info@okugi.de Web: www.okugi.de		*	
This drawing is the property of the company okugi Liftsystems GmbH. All from the company okugi is not to be used, copied, given to third parties and similar without written approval. Failure to comply is illegal and may lead to liability for damages and compensation.		Scale <b>1:5</b>	Size <b>A2</b>	Title <b>Spotlight-Lift</b>	
Drawn <b>2009</b>	Date	Name			
Check			Tolerances ISO 2768-MK EN ISO 13920-BF	METHOD 1 	Project No.
Copyright as per DIN 34			<b>Spotlight-Lift</b>		Drawing No.
					Sheet <b>1</b> 1 / 1