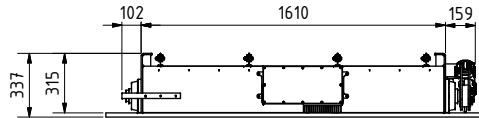
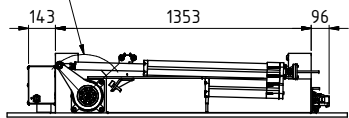
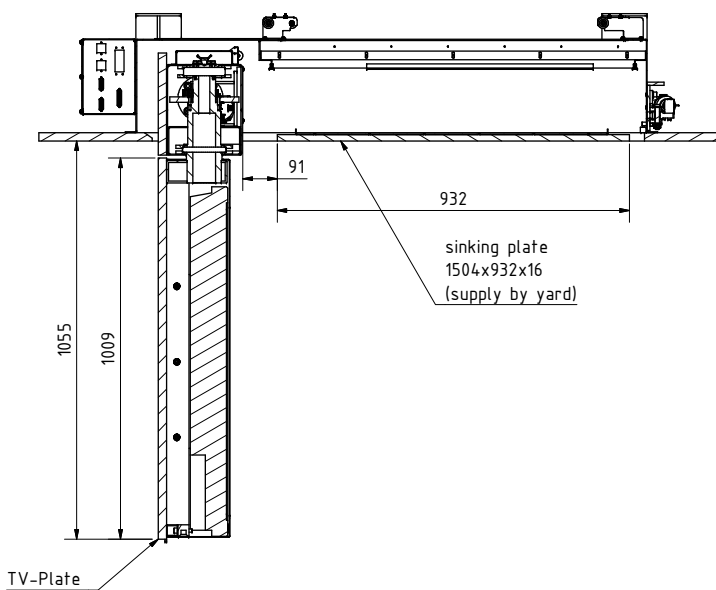


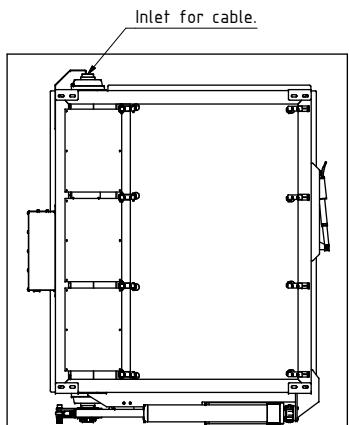
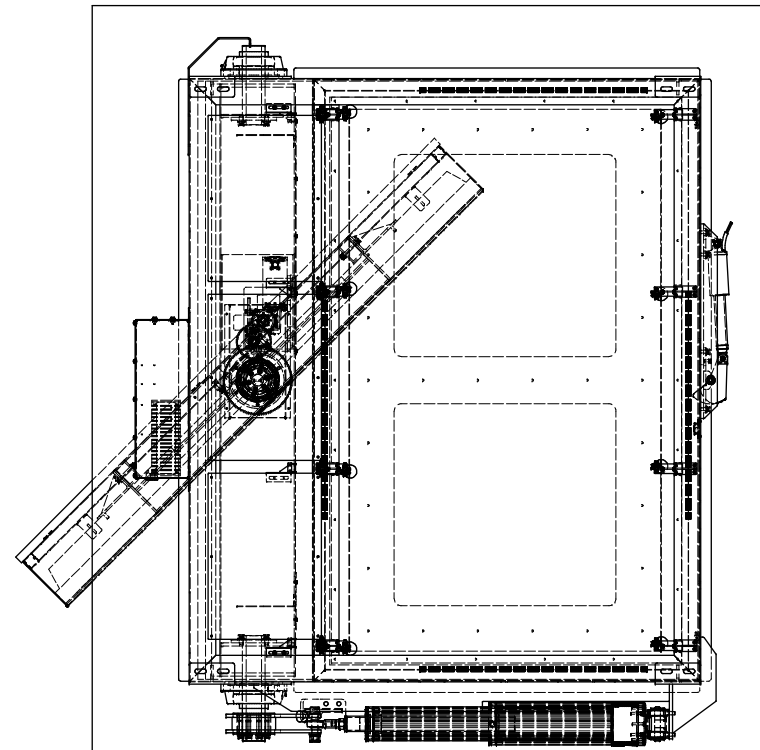
Working area  
linear actuator.



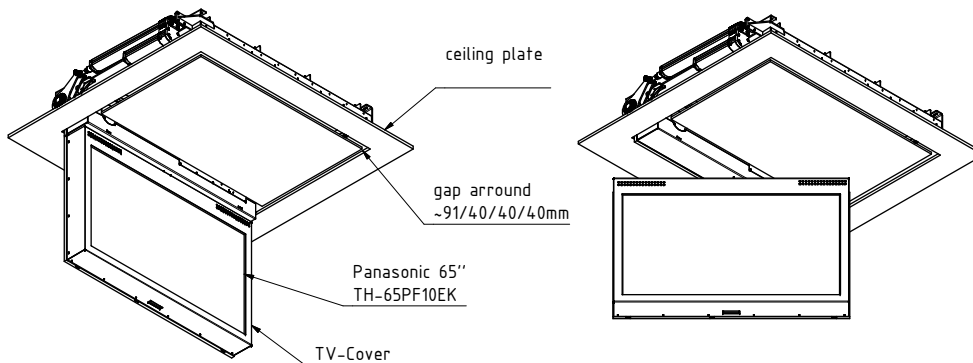
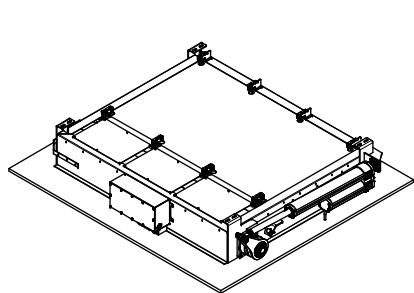
C-C ( 1 : 10 )



( 1 : 10 )



( 1 : 25 )



Mounting Frame (Option)  
Surface: powder-coated in RAL9005 fine



|  |   |                          |                    |   |
|--|---|--------------------------|--------------------|---|
| <p>This drawing is the property of the company okugi Liftsystems GmbH. All from the company okugi is not to be used, copied, given to third parties and similar without written approval. Failure to comply is illegal and may lead to liability for damages and compensation.</p> |   | <p>Scale<br/>div. A2</p> | <p>Size<br/>A2</p> | <p>Title<br/>Drop Down Lift with turn<br/>for Panasonic 65"</p> |
| <p>Drawn<br/>2009</p>  | <p>Date</p>   | <p>Name</p>              | <p>Project No.</p> |   |
| <p>Check</p>   | <p>Tolerances<br/>ISO 2768-MK<br/>EN ISO 13920-BF</p> | <p>METHOD 1</p>          | <p>Drawing No.</p> | <p>Sheet<br/>1 / 1</p>  |
| <p>Copyright as per DIN 34</p>   |   | <p>Drop-Down-Lift</p>    |                    |   |