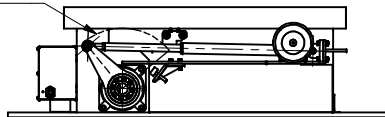
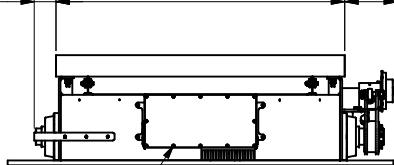


Working area  
linear actuator

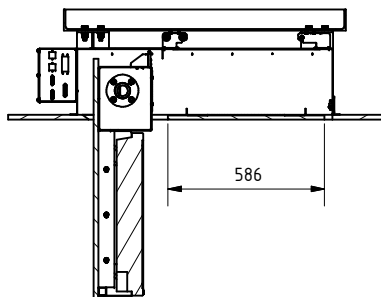


82 1080 198

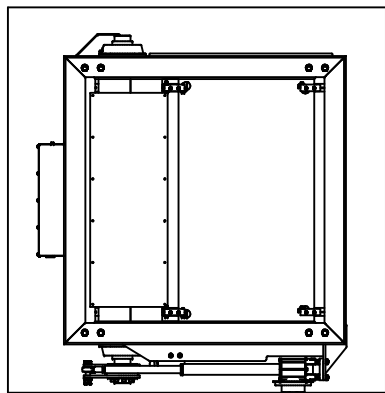
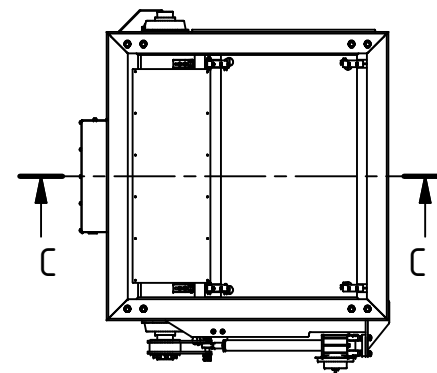


Position of controller

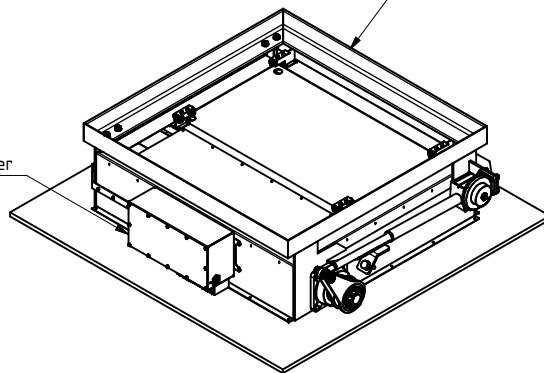
C-C



586

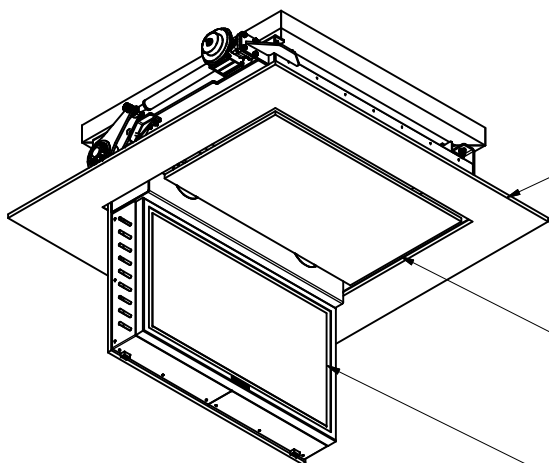


Mounting Frame (Option)



PLC-Controller

ceiling panel



sinking plate

Panasonic TH-42PH10EK  
(1020x610x89)

Mounting Frame (Option)  
Surface: powder-coated in RAL9005 fine

	okugi lift systems GmbH Uthoffstraße 14-16 D-28757 Bremen Tel: +49 (0)421 - 83 56 490 44 Fax: +49 (0)421 - 83 56 490 45 Email: info@okugi.de Web: www.okugi.de		*		
	This drawing is the property of the company okugi Liftsystems GmbH. All from the company okugi is not to be used, copied, given to third parties and similar without written approval. Failure to comply is illegal and may lead to liability for damages and compensation.		Scale <b>1:20</b>	Size <b>A3</b>	Title <b>Drop Down Lift 42"-no turn</b>
Drawn: <u>2009</u> Date: _____ Name: _____ Check: _____		Tolerances ISO 2768-MK EN ISO 13920-BF		METHOD 1 	Project No. _____ Drawing No. _____ Sheet <b>Drop-Down-Lift</b> 1 / 1/1
Copyright as per DIN 34					