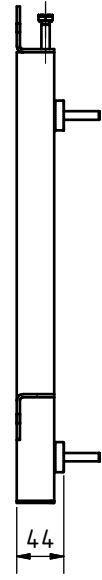
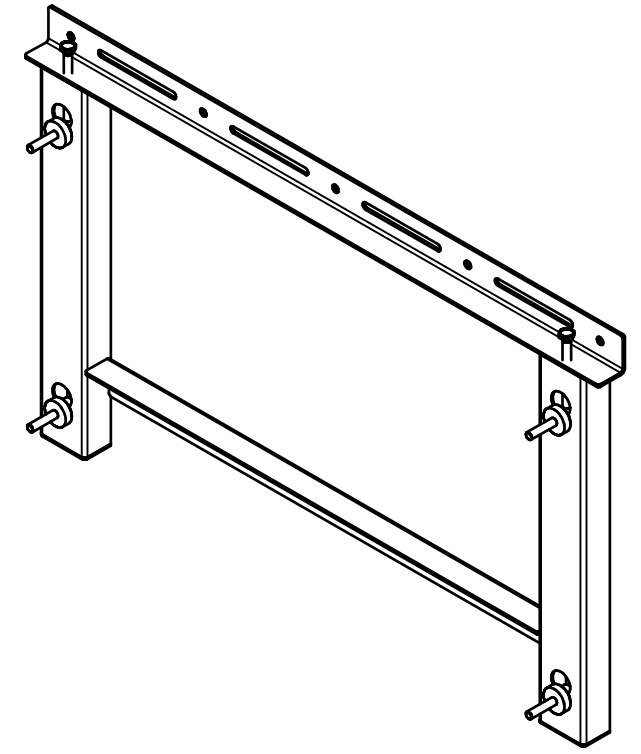
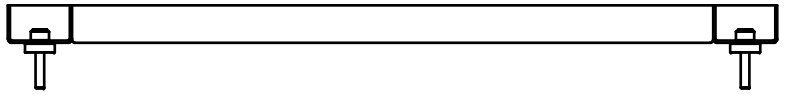



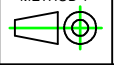
A-A



B-B



Surface: powder-coated in RAL9005 fine

		okugi lift systems GmbH Uthoffstraße 14-16 D-28757 Bremen Tel: +49 (0)421 - 83 56 490 44 Fax: +49 (0)421 - 83 56 490 45 Email: info@okugi.de Web: www.okugi.de			
This drawing is the property of the company okugi Liftsystems GmbH. All from the company okugi is not to be used, copied, given to third parties and similar without written approval. Failure to comply is illegal and may lead to liability for damages and compensation.	Scale	Size	Title		
	1:5	A3	TV-Wall-Bracket		
	2009	Date	Name	Panasonic 50"	
	Drawn				
	Check				
Copyright as per DIN 34	Tolerances	METHOD 1 	Project No.	Drawing No.	Sheet
	ISO 2768-MK EN ISO 13920-BF		TV-Wall-Bracket		1 1/1